

ARI® PRODUCT DIVERSITY

STOBU® THE STOP VALVE

VARIABLE, EASY TO SERVICE, DURABLE!

Control



Control valves
STEVI® Pro
(BR 422/462, 470/471)



STEVI® Vario
(BR 448/449)



STEVI® Smart (BR 423/463,
425/426, 440/441, 450/451)



Control without auxiliary power
PREDU®/PREDEX®/
PRESO®/TEMPROL®

Isolation



Process Valves
ZETRIX®
High Performance-Valves
ZEDOX®



Butterfly valves
ZESA®/GESA®/ZIVA®



Bellows sealed valves
FABA® Plus, FABA® Supra I/C



Stop valves with gland seal
STOBU®

Safety



Safety valves (DIN)
SAFE



Safety valves
SAFE TCP



Safety valves (API 526)
REYCO®



Safety valves (ANSI)
REYCO® RL-Series

Steam trapping



Steam traps CONA®
(mechanical ball float /
thermostatic bimetallic and
membrane / thermodynamic),
monitoring systems
CONA® Control



Manifolds
CODI® for collecting
and diverting purpose



**Steam traps with multi-
valving technology CONA®**
"All-in-One" (incl. stop valve,
inside strainer, back-flow
protection, drain valve)

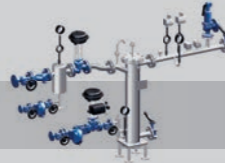


Mechanical pump systems
CONLIFT®, CONA® P

Application technology



Pressure reducing station
PREsys®



Heat exchanger
ENCOsys®

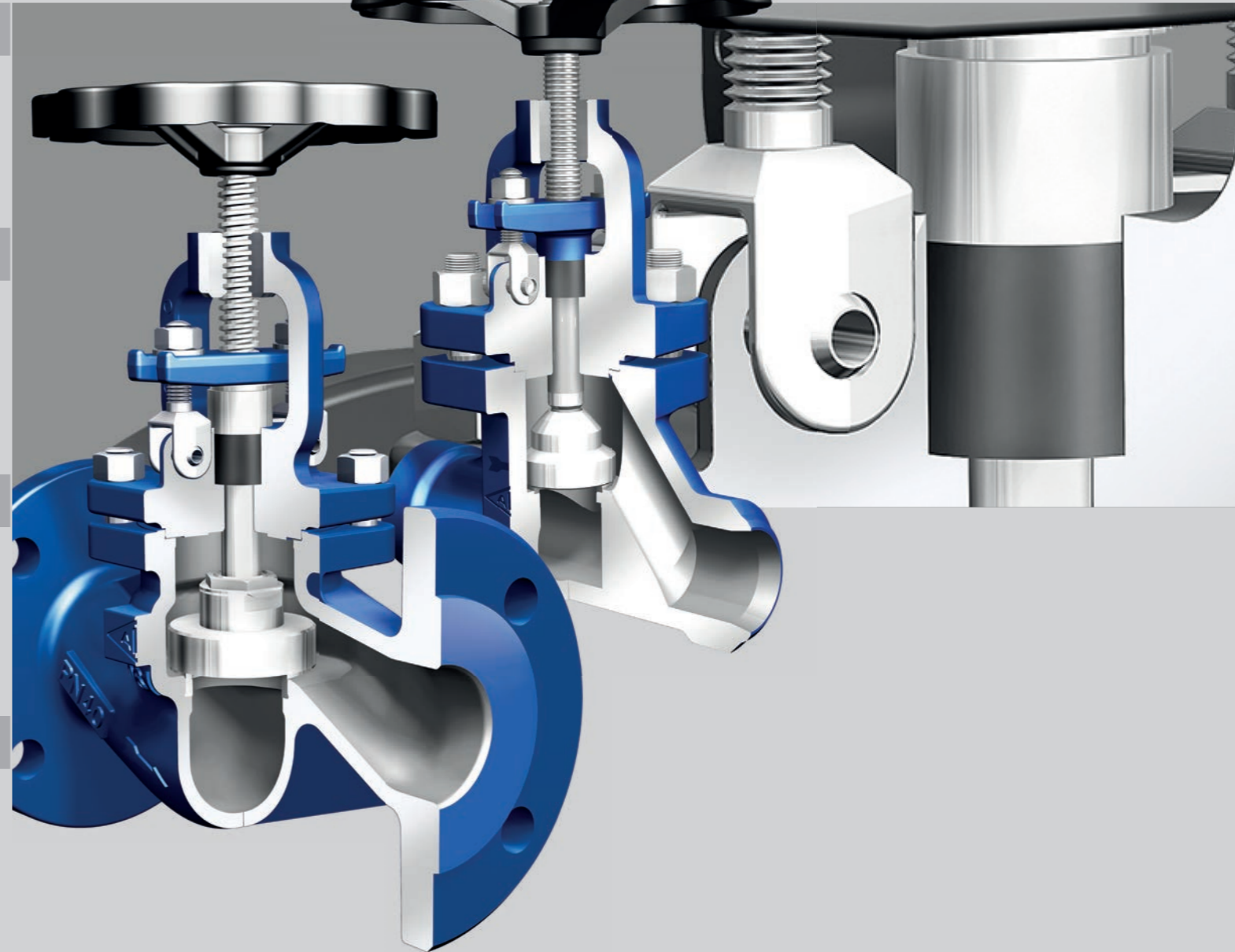


Condensate return system
CORsys®



**Feedwater tank
with deaerator dome**

Edition 02/2024 - Data subject to alteration



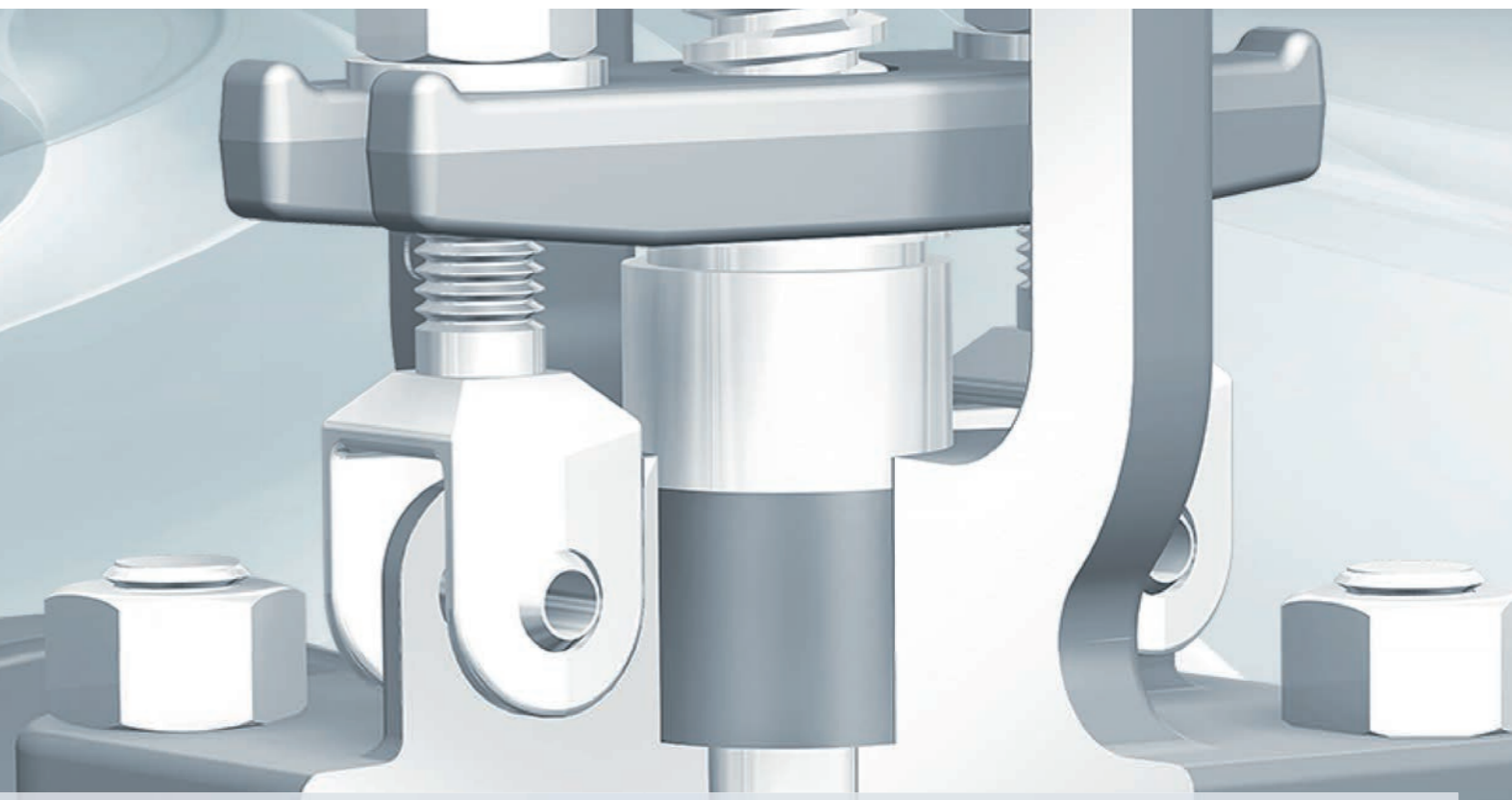
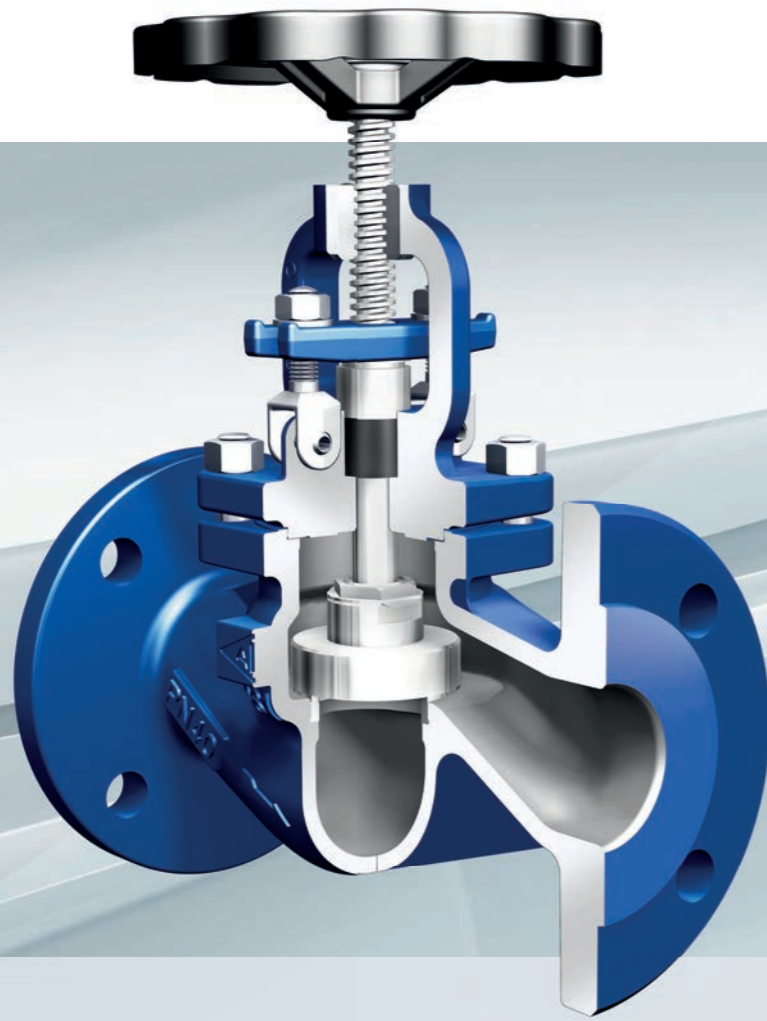
Profit from diversity made by ARI®.
Please don't hesitate to ask for more information!



Your valve made by ARI®
ari-armaturen.com



Your valve made by ARI®
ari-armaturen.com



- Easy to service because the gland packing can be replaced in a few simple steps
- Optimal handling because the gland seal stuffing box allows easy tightening
- Permanently leak-proof due to burnished stem and chambered bonnet seal
- Durable due to bonnet top with threaded bush
- Easy to service due to pivot mounted bolts fixed to the bonnet

- Completely leak-proof due to ideal plug / seat hardness gradient
- Durable due to plug / seat surface with stellite finish
- Two-fold safety due to double sealing mechanism – new: now up to DN 100!
- Optimal leakproofness due to chambered yoke gasket
- Optimal handling due to non-rising handwheel
- Certified safety due to spring loaded stop valve with gland seal acc. to EN ISO 15848-1/TA-Luft

Enormous product diversity provides flexibility in use:

Plug designs: throttling plug, screw-down non-return plug with resetting spring, balancing plug, soft sealing plug

Special designs, e.g. limit switch (mechanical or inductive), chain wheel

Versatile applications, e.g. seawater version acc. to DIN 86251 (seat ring and plug e.g. in CUSN10-CU / stem e. g. in CUSN8)

STOBU® PN 16 – 40

Nominal diameter: DN 15 – 500

Materials: Cast iron, SG iron, cast steel, forged steel, SA216 WCB, SA105, stainless steel 1.4408

Flow media: Steam, water

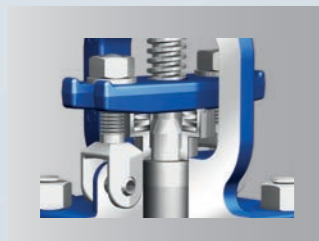
Temperature: -60 °C to +450 °C

STOBU® PN 63 – 160

Nominal diameter: DN 10 – 100

Materials: Cast steel, forged steel, heat resistant steels

Temperature: -10 °C to +550 °C



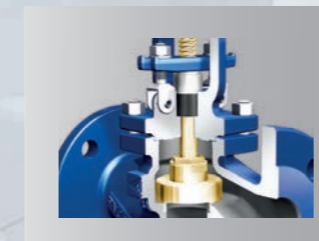
Certified safety: spring loaded stop valve with gland seal acc. to EN ISO 15848-1 / TA-Luft



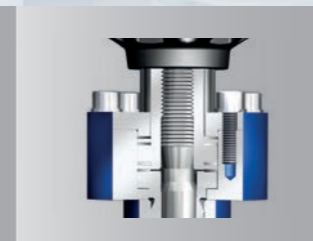
Diversity: New – STOBU® for PN 63 – 160 – now up to DN 100



Diversity: Option of electric or pneumatic actuators



Diversity: e. g. seawater version



Optimal handling: Non-rising handwheel (PN 63 – 160)



Maximum cost effectiveness: "Two-in-One" (screw-down non-return plug with resetting spring provides additional function as a check valve with shut-off feature)